

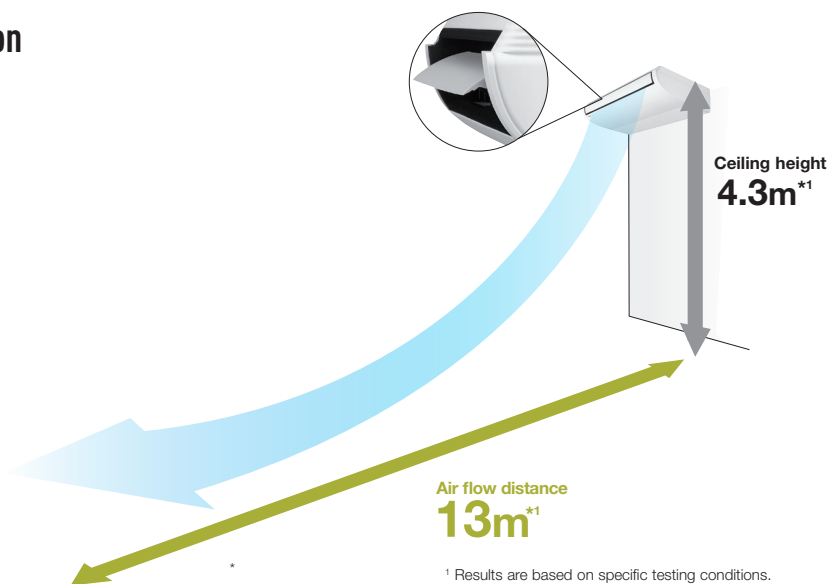
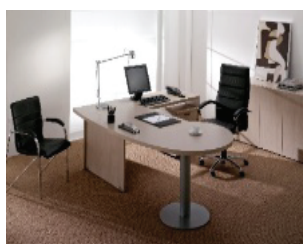


# Advantages of Ceiling Exposed

## Comfortable, Long-Distance Airflow Distribution

The shape of the outlet has been optimised to provide long-distance air flow distribution.

Even in long rooms, air flow reaches every corner for exceptionally comfortable air conditioning.



\*1 Results are based on specific testing conditions.

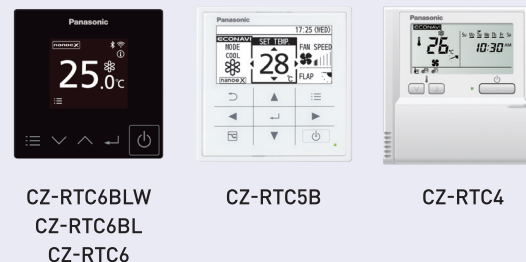
# NX Series Remote Controller Information

		Compatibility Table		
CONEX Type		CZ-RTC6BLW Built-in BLE & WLAN	CZ-RTC6BL Built-in BLE	CZ-RTC6
App				

## Wireless Remote Controller



## Wired Remote Controller



## What's New

Incorporating nano<sup>™</sup> X as a standard feature, a new NX Series delivers both a new level of temperature control and the quality air. Integrated with new IoT remote controller, providing great accessibility and convenience in a stylish design. Through a crossbreeding of two differing technologies, Panasonic is leading air-conditioning to a whole new level.



Scan for more info. on **CONEX**



Scan for more info. on **nanoEX**

# DELUXE NX SERIES CEILING EXPOSED NEW

- The slim design makes thickness only 235 mm.
- Compact looking, stylish, one-motion design.
- Comfortable, long-distance airflow distribution.

**nanoeX**  
Generator Mark2

**INVERTER**

**CONEX**

**R32**  
REFRIGERANT



[Accessory]

[Optional Wired Remote Controller]



**CZ-RTC6**  
**CZ-RTC6BL [BLE]**  
**CZ-RTC6BLW [BLE&WLAN]**



**CZ-CAPWFC1**  
[Optional]  
If not use  
CZ-RTC6BLW,  
The adaptor also  
can be used.

Five-star CSPF energy rating



Capacity [Btu/h(Phase)]		17,100	20,500	24,200	34,100	42,700	42,700(3)	47,800	47,800(3)
Power Source	V/Phase Hz	230V, 10 Phase - 60Hz							
Indoor Unit		<b>S-18PT3QA</b>	<b>S-21PT3QA</b>	<b>S-24PT3QA</b>	<b>S-34PT3QA</b>	<b>S-43PT3QA</b>	<b>S-3448PT3QA</b>	<b>S-48PT3QA</b>	<b>S-3448PT3QA</b>
Outdoor Unit		<b>U-18PRH1Q6</b>	<b>U-21PRH1Q6</b>	<b>U-24PRH1Q6</b>	<b>U-34PRH1Q6</b>	<b>U-43PRH1Q6</b>	<b>U-43PRH1Q9</b>	<b>U-48PRH1Q6</b>	<b>U-48PRH1Q9</b>
Cooling Capacity: Rated (Min-Max)	kW	5.00 (1.80-6.00)	6.00 (1.80-6.30)	7.10 (1.80-8.00)	10.00 (3.80-11.20)	12.50 (3.80-14.00)	12.50 (3.80-14.00)	14.00 (5.30-15.50)	14.00 (5.30-15.50)
	Btu/h	17,100 (6,140-20,500)	20,500 (6,140-21,500)	24,200 (6,140-27,300)	34,100 (13,000-38,200)	42,700 (13,000-47,800)	42,700 (13,000-47,800)	47,800 (18,100-52,900)	47,800 (18,100-52,900)
Current: Rated (Max)	A	4.9 [9.1]	6.5 [11.0]	7.5 [12.0]	11.7 [25.5]	17.7 [26.0]	17.7 [26.0]	20.0 [28.0]	20.0 [28.0]
Power Input: Rated (Min-Max)	kW	1.08 [0.27-1.43]	1.44 [0.27-1.72]	1.70 [0.25-2.15]	2.47 [0.68-3.04]	3.75 [0.68-4.40]	3.75 [0.68-4.40]	4.24 [0.94-5.00]	4.24 [0.94-5.00]
CSPF		7.20	6.70	6.85	6.05	5.50	5.50	5.40	5.40
COP/EER	W/W	4.63	4.17	4.18	4.05	3.33	3.33	3.30	3.30
	Btu/hW	15.83	14.24	14.24	13.81	11.39	11.39	11.27	11.27
<b>Indoor Unit</b>									
Air Volume	m <sup>3</sup> /min	15.0	15.0	21.0	35.0	35.0	35.0	35.0	35.0
	cfm	530	530	740	1,235	1,235	1,235	1,235	1,235
Sound Pressure Level (Hi/Lo)	dB (A)	38 / 29	38 / 29	40 / 32	46 / 38	46 / 38	46 / 38	46 / 38	46 / 38
Sound Power Level (Hi/Lo)	dB (A)	56 / 47	56 / 47	58 / 50	64 / 56	64 / 56	64 / 56	64 / 56	64 / 56
Dimension	Indoor (HxWxD)	235 x 960 x 690	235 x 960 x 690	235 x 1,275 x 690	235 x 1,590 x 690	235 x 1,590 x 690	235 x 1,590 x 690	235 x 1,590 x 690	235 x 1,590 x 690
Net Weight	Indoor	26	26	34	40	40	40	40	40
<b>Outdoor Unit</b>									
Sound Pressure Level	dB (A)	50	51	53	54	57	57	58	58
Sound Power Level	dB (A)	69	70	72	73	76	76	77	77
Dimension	Outdoor (HxWxD)	695 x 875 x 320	695 x 875 x 320	695 x 875 x 320	996 x 980 x 370	996 x 980 x 370	996 x 980 x 370	996 x 980 x 370	996 x 980 x 370
Net Weight		39	39	39	69	69	67	75	73
Piping Connection	Gas Pipe	mm (inch)	12.70 (1/2)	12.70 (1/2)	15.88 (5/8)	15.88 (5/8)	15.88 (5/8)	15.88 (5/8)	15.88 (5/8)
	Liquid Pipe	mm (inch)	6.35 (1/4)	6.35 (1/4)	9.52 (3/8)	9.52 (3/8)	9.52 (3/8)	9.52 (3/8)	9.52 (3/8)
Pipe Length	Min-Max	m	5 - 50	5 - 50	5 - 50	5 - 50	5 - 50	5 - 50	5 - 50
Elevation Difference	m	30	30	30	30	30	30	30	30
Maximum Chargeless Length	Max	m	30	30	30	30	30	30	30
Additional Gas	g/m	15	15	25	25	25	25	25	25
Operation Range, Outdoor	Min-Max	°C	16-52	16-52	16-52	16-52	16-52	16-52	16-52

\* Specifications are subject to change without notice. Please refer to technical documents for more details. \* The sound pressure level is measured in accordance with JIS C 9612 and JIS B 8616. \* DELUXE series indoor units can only be connected to outdoor units of the same series. \* CZ-CAPWFC1 is a WLAN smart adaptor for connecting to the Comfort Cloud app.

## High COP

- High Energy Efficiency
- Deluxe Series COP has been greatly improved to reduce power consumption.

**COP 4.15\*(avg.)**

**R32**  
REFRIGERANT

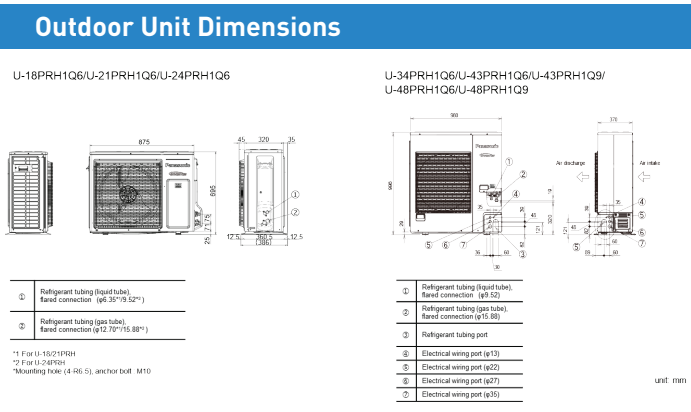
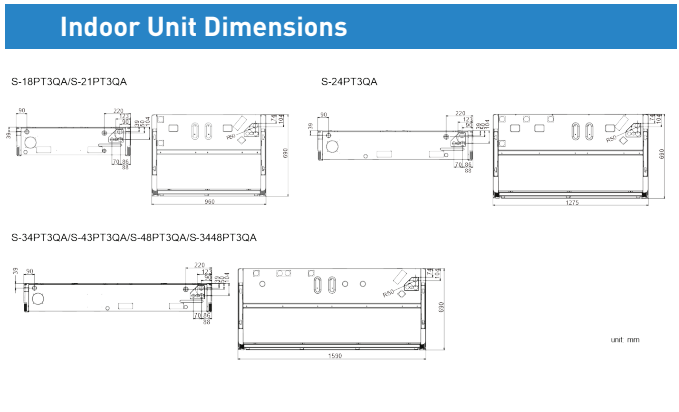
## High Operation Range

Even in extremely hot environments like Asian countries, new NX Series models provide powerful operation. Operation range expanded up to outdoor air temperature of 52 °C.

Up to

# 52°C

(Standard: up to 40° C)



## Panasonic Customer Care Center

Ortigas Avenue Extension, Taytay, Rizal, 1920 Philippines  
 Hotline: (02)8-706-7603  
 PLDT Toll Free: 1800-10-7262782 GLOBE Toll Free: 1800-82-934357  
 Email: pmpc\_csdic@ph.panasonic.com  
 SMS (Text only): TYPE Panasonic<space>message and send to Globe/  
 TM subscribers: 21584703 SMART, SUN, TNT subscribers: 225654703  
 Fax: (02)8-706-7612  
 Facebook: Panasonic Philippines Official Website: <https://www.panasonic.com/ph>



Panasonic Air Solution

Follow us!